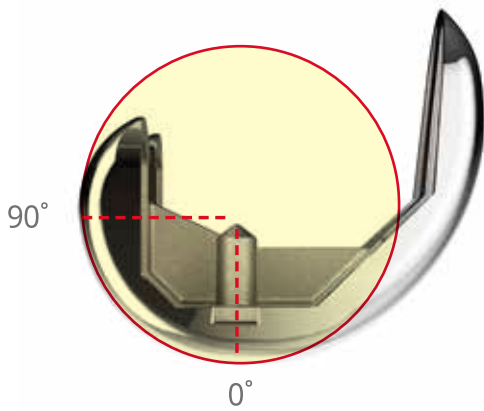


EXULT

KNEE REPLACEMENT SYSTEM

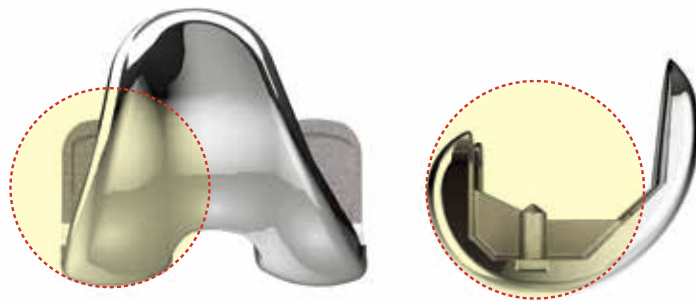


Femoral Component



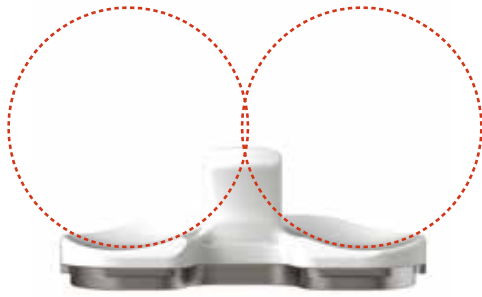
◀ Single axis design for articular stability with flexion and improving range of motion.

Lateralized anterior trochlea groove for optimal patella tracking. ▶



▶ Spherical articular surface for reducing contact stress and improving stability.

Tibial Insert



Curved on Curved

- High conformity at the frontal plane to improve contact area.



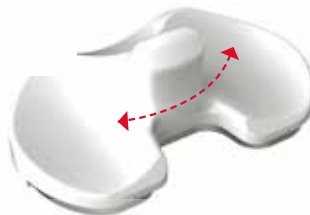
- Multi radius in the sagittal plane for improved anterior stability and deep flexion.



- 1mm tibial insert increments from 9 to 14mm
2mm increments up to 24mm.

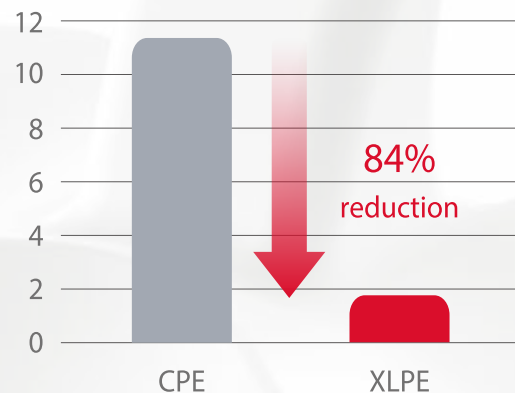


Rotation



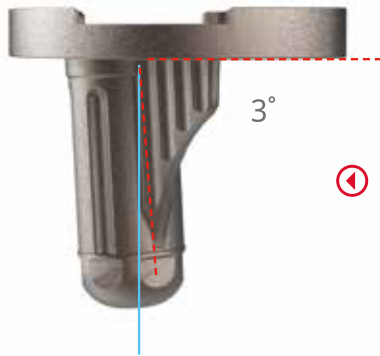
- Rounded tibial post to reduce edge loading on the post.

Exult highly cross-linked poly (XLPE) showed 84% wear rate reduction compared to conventional PE*



*data on file at Corentec

Tibial Baseplate & Patellar Component



⌚ Stem with built in 3° posterior slope to reduce anterior cortex impingement.



CR



PR



Stem plug



30mm



60mm



90mm

⌚ Stem options available for additional stability.

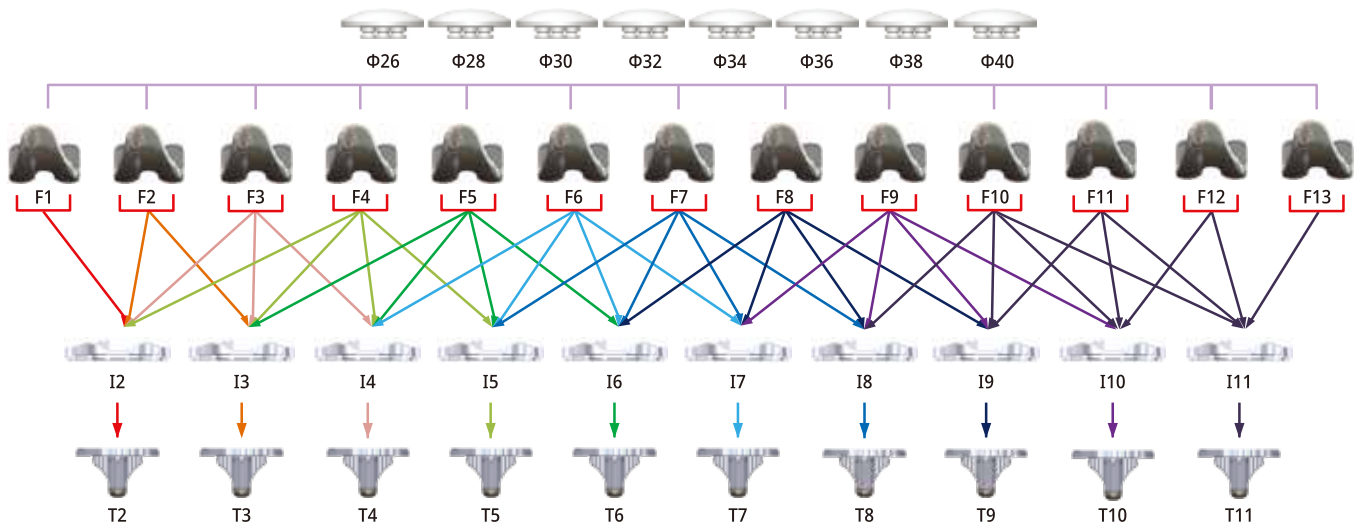


⌚ Cement pockets provide optimal condition for cemented fixation. Dome shape optimal for smooth patella tracking.

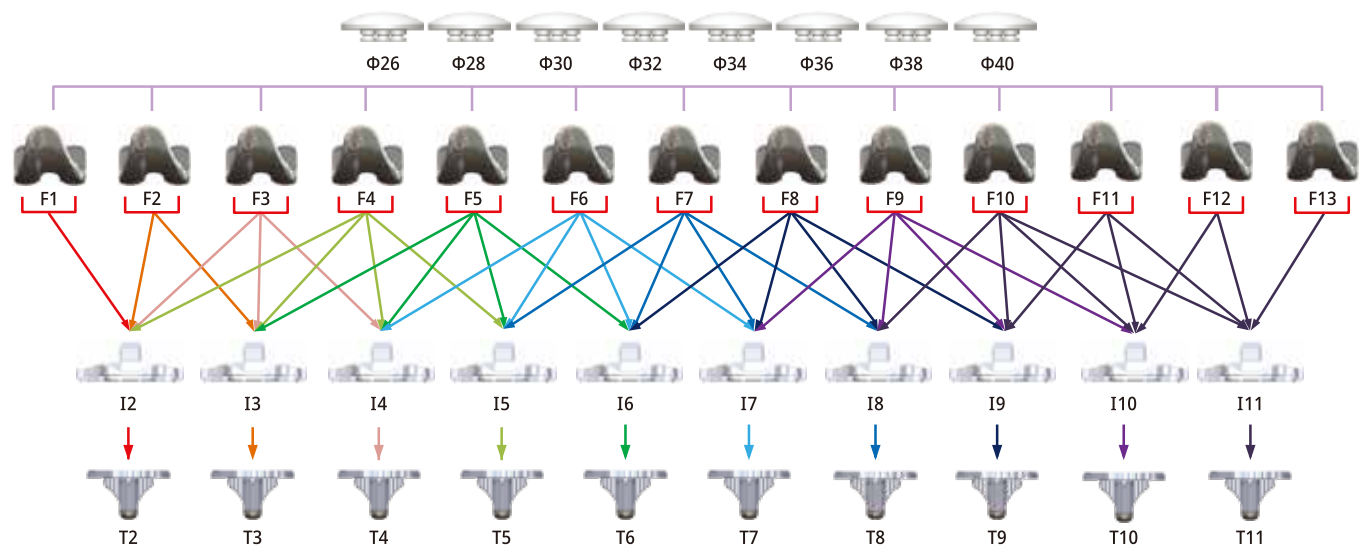
Size Combination Chart

Tibial inserts		Femoral components												
		F1	F2	F3	F4	F5	F6	F7	F8	F9	F10	F11	F12	F13
		50/59	52/60	54/61	56/62	58/63.5	60/65	62/67	64/68.5	66/70	68/71.5	70/73	73/76	76/78
T2	36/57		●											
T3	38/60			●										
T4	40/63				●									
T5	42/66					●								
T6	44/69						●							
T7	45/72							●						
T8	47/75								●					
T9	50/79									●				
T10	53/83										●			
T11	57/86											●		

Size Combination CR Type



Size Combination PS Type



Implant Ordering Information

EXULT Femoral Component (CR)

Part No.		Size	AP/ML (mm)
Left	Right		
K3.FAL.5059	K3.FAR.5059	1	50/59
K3.FAL.5260	K3.FAR.5260	2	52/60
K3.FAL.5461	K3.FAR.5461	3	54/61
K3.FAL.5662	K3.FAR.5662	4	56/62
K3.FAL.5863	K3.FAR.5863	5	58/63.5
K3.FAL.6065	K3.FAR.6065	6	60/65
K3.FAL.6267	K3.FAR.6267	7	62/67
K3.FAL.6468	K3.FAR.6468	8	64/68.5
K3.FAL.6670	K3.FAR.6670	9	66/70
K3.FAL.6871	K3.FAR.6871	10	68/71.5
K3.FAL.7073	K3.FAR.7073	11	70/73
K3.FAL.7376	K3.FAR.7376	12	73/76
K3.FAL.7678	K3.FAR.7678	13	76/78

EXULT Femoral Component (PS)

Part No.		Size	AP/ML (mm)
Left	Right		
K3.FBL.5059	K3.FBR.5059	1	50/59
K3.FBL.5260	K3.FBR.5260	2	52/60
K3.FBL.5461	K3.FBR.5461	3	54/61
K3.FBL.5662	K3.FBR.5662	4	56/62
K3.FBL.5863	K3.FBR.5863	5	58/63.5
K3.FBL.6065	K3.FBR.6065	6	60/65
K3.FBL.6267	K3.FBR.6267	7	62/67
K3.FBL.6468	K3.FBR.6468	8	64/68.5
K3.FBL.6670	K3.FBR.6670	9	66/70
K3.FBL.6871	K3.FBR.6871	10	68/71.5
K3.FBL.7073	K3.FBR.7073	11	70/73
K3.FBL.7376	K3.FBR.7376	12	73/76
K3.FBL.7678	K3.FBR.7678	13	76/78

EXULT Tibial Baseplate (Stemmed)

Part No.	Size	L(mm)	AP/ML (mm)
K3.BFU.3657-ASM	2		
K3.BFU.3860-ASM	3	35	38/60
K3.BFU.4063-ASM	4	35	40/63
K3.BFU.4266-ASM	5	35	42/66
K3.BFU.4469-ASM	6	35	44/69
K3.BFU.4572-ASM	7	35	45/72
K3.BFU.4775-ASM	8	35	47/75
K3.BFU.5079-ASM	9	40	50/79
K3.BFU.5383-ASM	10	40	53/83
K3.BFU.5786-ASM	11	40	57/86

EXULT Tibial Baseplate (Mono)

Part No.	Size	L(mm)	AP/ML (mm)
K3.BFN.3657	2		
K3.BFN.3860	3	35	38/60
K3.BFN.4063	4	35	40/63
K3.BFN.4266	5	35	42/66
K3.BFN.4469	6	35	44/69
K3.BFN.4572	7	35	45/72
K3.BFN.4775	8	35	47/75
K3.BFN.5079	9	40	50/79
K3.BFN.5383	10	40	53/83
K3.BFN.5786	11	40	57/86

EXULT Patellar Component (Dome)

Part No.	Size (mm)	Thickness (mm)
01.10.921	26 *	8
01.10.941	28	8
01.10.961	30 *	8
01.10.96A	30	8
01.10.981	32 *	8
01.10.98A	32	8
01.10.9A2	34 *	9
01.10.9AB	34	9
01.10.9C3	36 *	10
01.10.9CC	36 *	10

Exult Tibial Insert XLPE [CR]

Part No.	Size	L(mm)	AP/ML (mm)
K3.IAX.3657-09T	9		
K3.IAX.3657-10T	10	36/57	10
K3.IAX.3657-11T	11	36/57	11
K3.IAX.3657-12T	12	36/57	12
K3.IAX.3657-13T	13	36/57	13
K3.IAX.3657-14T	14	36/57	14
K3.IAX.3657-16T	16	36/57	16
K3.IAX.3657-18T	18	36/57	18
K3.IAX.3657-20T	20	36/57	20
K3.IAX.3657-22T	22	36/57	22
K3.IAX.3657-24T	24	36/57	24
K3.IAX.3860-09T	9	38/60	9
K3.IAX.3860-10T	10	38/60	10
K3.IAX.3860-11T	11	38/60	11
K3.IAX.3860-12T	12	38/60	12
K3.IAX.3860-13T	13	38/60	13
K3.IAX.3860-14T	14	38/60	14
K3.IAX.3860-16T	16	38/60	16
K3.IAX.3860-18T	18	38/60	18
K3.IAX.3860-20T	20	38/60	20
K3.IAX.3860-22T	22	38/60	22
K3.IAX.3860-24T	24	38/60	24
K3.IAX.4063-09T	9	40/63	9
K3.IAX.4063-10T	10	40/63	10
K3.IAX.4063-11T	11	40/63	11
K3.IAX.4063-12T	12	40/63	12
K3.IAX.4063-13T	13	40/63	13
K3.IAX.4063-14T	14	40/63	14
K3.IAX.4063-16T	16	40/63	16
K3.IAX.4063-18T	18	40/63	18
K3.IAX.4063-20T	20	40/63	20
K3.IAX.4063-22T	22	40/63	22
K3.IAX.4063-24T	24	40/63	24
K3.IAX.4266-09T	9	42/66	9
K3.IAX.4266-10T	10	42/66	10
K3.IAX.4266-11T	11	42/66	11
K3.IAX.4266-12T	12	42/66	12
K3.IAX.4266-13T	13	42/66	13
K3.IAX.4266-14T	14	42/66	14
K3.IAX.4266-16T	16	42/66	16
K3.IAX.4266-18T	18	42/66	18
K3.IAX.4266-20T	20	42/66	20
K3.IAX.4266-22T	22	42/66	22
K3.IAX.4266-24T	24	42/66	24
K3.IAX.4469-09T	9	44/69	9
K3.IAX.4469-10T	10	44/69	10
K3.IAX.4469-11T	11	44/69	11
K3.IAX.4469-12T	12	44/69	12
K3.IAX.4469-13T	13	44/69	13
K3.IAX.4469-14T	14	44/69	14
K3.IAX.4469-16T	16	44/69	16
K3.IAX.4469-18T	18	44/69	18
K3.IAX.4469-20T	20	44/69	20
K3.IAX.4469-22T	22	44/69	22
K3.IAX.4469-24T	24	44/69	24

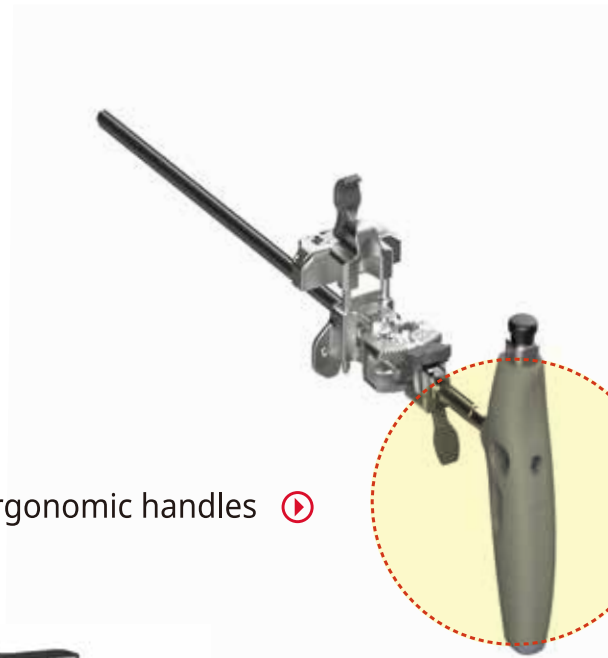
Part No.	Size	L(mm)	AP/ML (mm)
K3.IAX.4572-09T	9		
K3.IAX.4572-10T	10	45/72	10
K3.IAX.4572-11T	11	45/72	11
K3.IAX.4572-12T	12	45/72	12
K3.IAX.4572-13T	13	45/72	13
K3.IAX.4572-14T	14	45/72	14
K3.IAX.4572-16T	16	45/72	16
K3.IAX.4572-18T	18	45/72	18
K3.IAX.4572-20T	20	45/72	20
K3.IAX.4572-22T	22	45/72	22
K3.IAX.4572-24T	24	45/72	24
K3.IAX.4775-09T	9	47/75	9
K3.IAX.4775-10T	10	47/75	10
K3.IAX.4775-11T	11	47/75	11
K3.IAX.4775-12T	12	47/75	12
K3.IAX.4775-13T	13	47/75	13
K3.IAX.4775-14T	14	47/75	14
K3.IAX.4775-16T	16	47/75	16
K3.IAX.4775-18T	18	47/75	18
K3.IAX.4775-20T	20	47/75	20
K3.IAX.4775-22T	22	47/75	22
K3.IAX.4775-24T	24	47/75	24
K3.IAX.5079-09T	9	50/79	9
K3.IAX.5079-10T	10	50/79	10
K3.IAX.5079-11T	11	50/79	11
K3.IAX.5079-12T	12	50/79	12
K3.IAX.5079-13T	13	50/79	13
K3.IAX.5079-14T	14	50/79	14
K3.IAX.5079-16T	16	50/79	16
K3.IAX.5079-18T	18	50/79	18
K3.IAX.5079-20T	20	50/79	20
K3.IAX.5079-22T	22	50/79	22
K3.IAX.5079-24T	24	50/79	24
K3.IAX.5383-09T	9	53/83	9
K3.IAX.5383-10T	10	53/83	10
K3.IAX.5383-11T	11	53/83	11
K3.IAX.5383-12T	12	53/83	12
K3.IAX.5383-13T	13	53/83	13
K3.IAX.5383-14T	14	53/83	14
K3.IAX.5383-16T	16	53/83	16
K3.IAX.5383-18T	18	53/83	18
K3.IAX.5383-20T	20	53/83	20
K3.IAX.5383-22T	22	53/83	22
K3.IAX.5383-24T	24	53/83	24
K3.IAX.5786-09T	9	57/86	9
K3.IAX.5786-10T	10	57/86	10
K3.IAX.5786-11T	11	57/86	11
K3.IAX.5786-12T	12	57/86	12
K3.IAX.5786-13T	13	57/86	13
K3.IAX.5786-14T	14	57/86	14
K3.IAX.5786-16T	16	57/86	16
K3.IAX.5786-18T	18	57/86	18
K3.IAX.5786-20T	20	57/86	20
K3.IAX.5786-22T	22	57/86	22
K3.IAX.5786-24T	24	57/86	24

Exult Tibial Insert XLPE [PS]

Part No.	Size	L(mm)	AP/ML (mm)
K3.IBX.3657-09T	9		
K3.IBX.3657-10T	10	36/57	10
K3.IBX.3657-11T	11	36/57	11
K3.IBX.3657-12T	12	36/57	12
K3.IBX.3657-13T	13	36/57	13
K3.IBX.3657-14T	14	36/57	14
K3.IBX.3657-16T	16	36/57	16
K3.IBX.3657-18T	18	36/57	18
K3.IBX.3657-20T	20	36/57	20
K3.IBX.3657-22T	22	36/57	22
K3.IBX.3657-24T	24	36/57	24
K3.IBX.3860-09T	9	38/60	9
K3.IBX.3860-10T	10	38/60	10
K3.IBX.3860-11T	11	38/60	11
K3.IBX.3860-12T	12	38/60	12
K3.IBX.3860-13T	13	38/60	13
K3.IBX.3860-14T	14	38/60	14
K3.IBX.3860-16T	16	38/60	16
K3.IBX.3860-18T	18	38/60	18
K3.IBX.3860-20T	20	38/60	20
K3.IBX.3860-22T	22	38/60	22
K3.IBX.3860-24T	24	38/60	24
K3.IBX.4063-09T	9	40/63	9
K3.IBX.4063-10T	10	40/63	10
K3.IBX.4063-11T	11	40/63	11
K3.IBX.4063-12T	12	40/63	12
K3.IBX.4063-13T	13	40/63	13
K3.IBX.4063-14T	14	40/63	14
K3.IBX.4063-16T	16	40/63	16
K3.IBX.4063-18T	18	40/63	18
K3.IBX.4063-20T	20	40/63	20
K3.IBX.4063-22T	22	40/63	22
K3.IBX.4063-24T	24	40/63	24
K3.IBX.4266-09T	9	42/66	9
K3.IBX.4266-10T	10	42/66	10
K3.IBX.4266-11T	11	42/66	11
K3.IBX.4266-12T	12	42/66	12
K3.IBX.4266-13T	13	42/66	13
K3.IBX.4266-14T	14	42/66	14
K3.IBX.4266-16T	16	42/66	16
K3.IBX.4266-18T	18	42/66	18
K3.IBX.4266-20T	20	42/66	20
K3.IBX.4266-22T	22	42/66	22
K3.IBX.4266-24T	24	42/66	24
K3.IBX.4469-09T	9	44/69	9
K3.IBX.4469-10T	10	44/69	10
K3.IBX.4469-11T	11	44/69	11
K3.IBX.4469-12T	12	44/69	12
K3.IBX.4469-13T	13	44/69	13
K3.IBX.4469-14T	14	44/69	14
K3.IBX.4469-16T	16	44/69	16
K3.IBX.4469-18T	18	44/69	18
K3.IBX.4469-20T	20	44/69	20
K3.IBX.4469-22T	22	44/69	22
K3.IBX.4469-24T	24	44/69	24

Part No.	Size	L(mm)	AP/ML (mm)
K3.IBX.4572-09T	9		
K3.IBX.4572-10T	10	45/72	10
K3.IBX.4572-11T	11	45/72	11
K3.IBX.4572-12T	12	45/72	12
K3.IBX.4572-13T	13	45/72	13
K3.IBX.4572-14T	14	45/72	14
K3.IBX.4572-16T	16	45/72	16
K3.IBX.4572-18T	18	45/72	18
K3.IBX.4572-20T	20	45/72	20
K3.IBX.4572-22T	22	45/72	22
K3.IBX.4572-24T	24	45/72	24
K3.IBX.4775-09T	9	47/75	9
K3.IBX.4775-10T	10	47/75	10
K3.IBX.4775-11T	11	47/75	11
K3.IBX.4775-12T	12	47/75	12
K3.IBX.4775-13T	13	47/75	13
K3.IBX.4775-14T	14	47/75	14
K3.IBX.4775-16T	16	47/75	16
K3.IBX.4775-18T	18	47/75	18
K3.IBX.4775-20T	20	47/75	20
K3.IBX.4775-22T	22	47/75	22
K3.IBX.4775-24T	24	47/75	24
K3.IBX.5079-09T	9	50/79	9
K3.IBX.5079-10T	10	50/79	10
K3.IBX.			

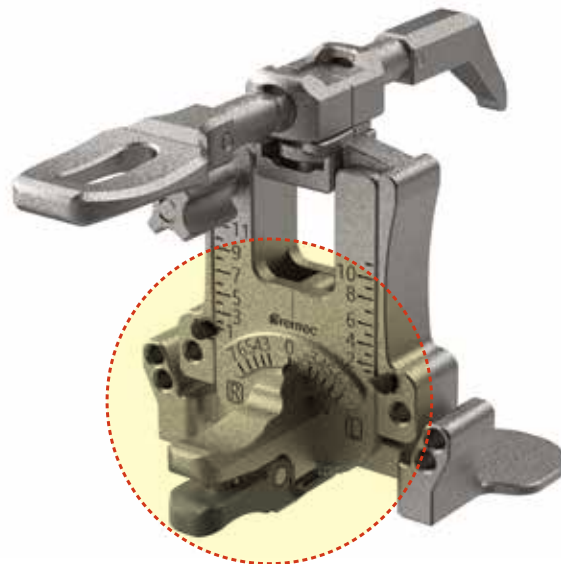
Exult instruments




Ergonomic handles 



 Quick release mechanisms



 Fine tune adjustments

30% volume reduction* of Instrument Trays.

*Compared to Lospa Knee



Manufacturing Plant 12, Yeongsanhong 1-gil, Ipjang-myeon, Seobuk-gu, Cheonan-si, Chungcheongnam-do, Korea | TEL 82-41-585-7114 | FAX 82-41-585-7113

Seoul Office 33-2, Banpo-daero 20-gil, Seocho-gu, Seoul, Republic of Korea | TEL 82-2-3445-5492~5 | FAX 82-2-3445-5467,5497

Corentec America 60 Washington St #202, Morristown, NJ 07960, United States | TEL 1-862-777-8302 | FAX 1-862-777-8319

EC Representative : Emergo Europe Prinsessegracht 20, 2514AP, The Hague, The Netherlands | TEL 31-70-345-8570 | FAX 31-70-346-7299

www.corentec.com

Distributor